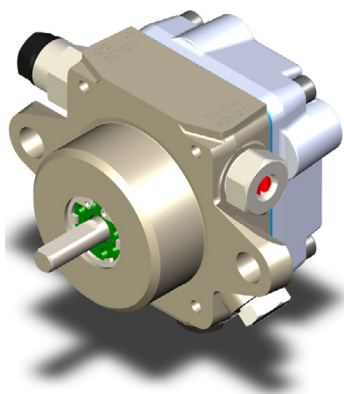




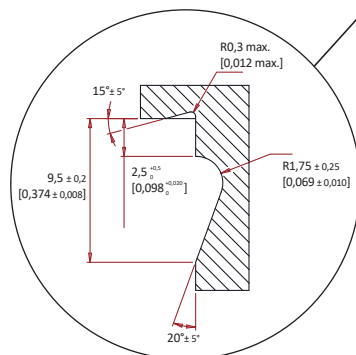
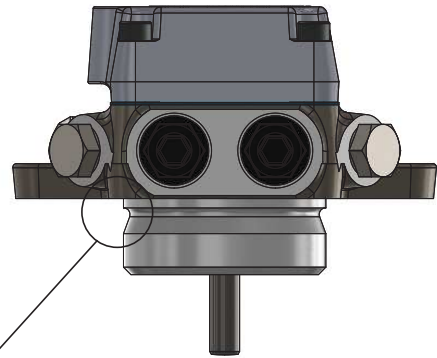
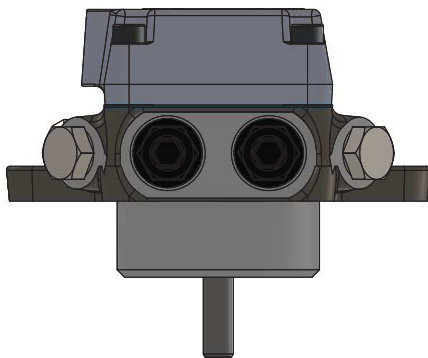
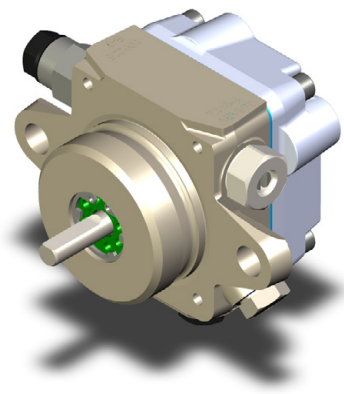
NEW HUB FOR PUMPS WITH FLANGE FIXATION

Starting T1 2023, Suntec will harmonize the hub and flange fixations on all small pumps* and AJ pumps by adding a groove as a standard. This groove is authorized in norm ISO225-1, and has below dimension.

CURRENT HUB 54



NEW HUB 54 WITH GROOVE



*All low capacity pumps : AE - AN - AL - AS - AP - A2L - AT - and D ranges.