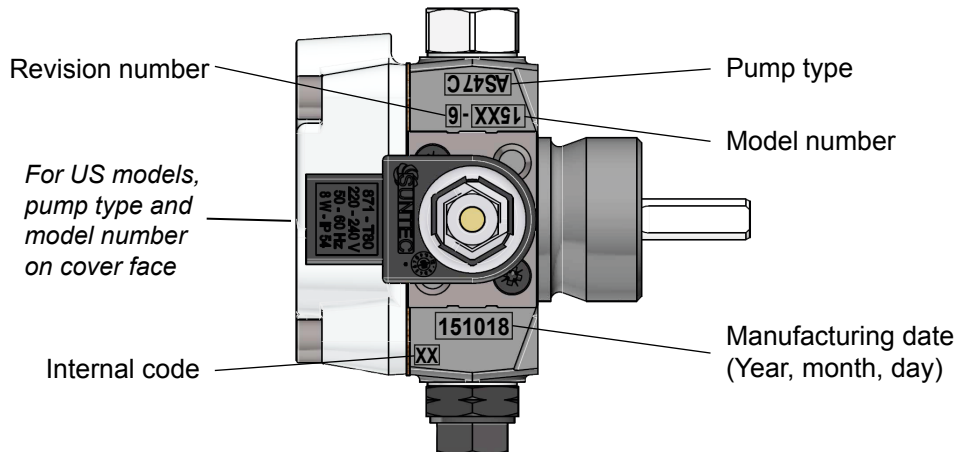


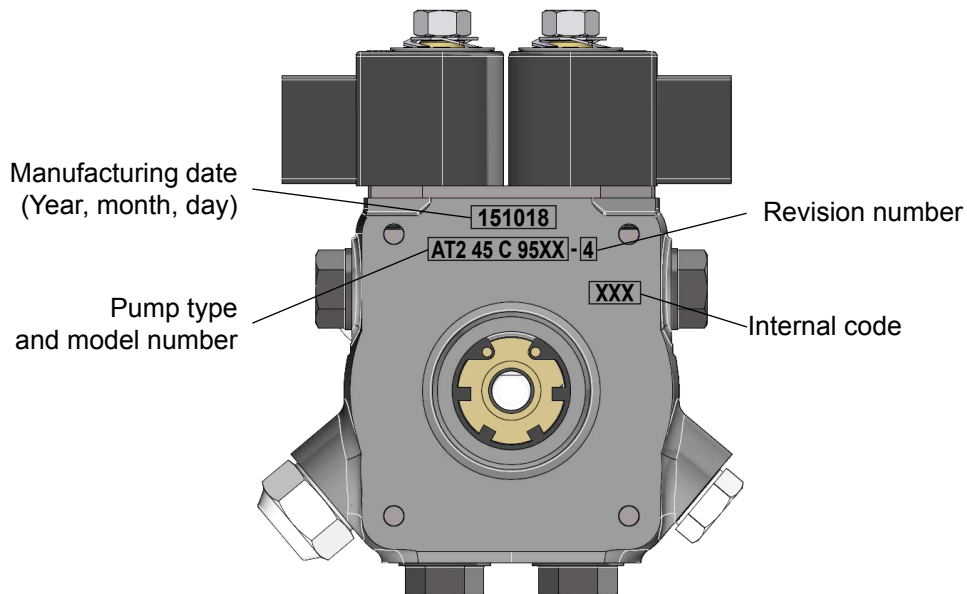
BULLETIN N° 33

Identification marking on SUNTEC pumps

**AN, AE, AS, AL, ALE, AU, AR, AP and D pumps
A 7000, A 3000, OL, B 8000 and B 4000 pumps**



A2L, AP 2/3, AT 2/3, AM and OT2 pumps



Data corresponding to installation system (one or two-pipe), to solenoid voltage, to connector length are not stamped on the pump because these parameters could be modified according to the installation.

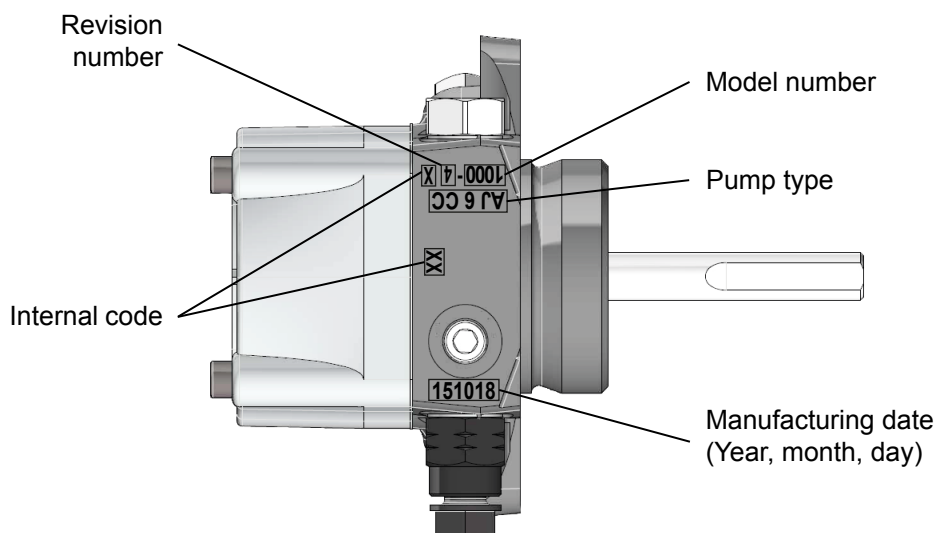
SB33-EN/ Ed.6 - 12/12/2018

1/3



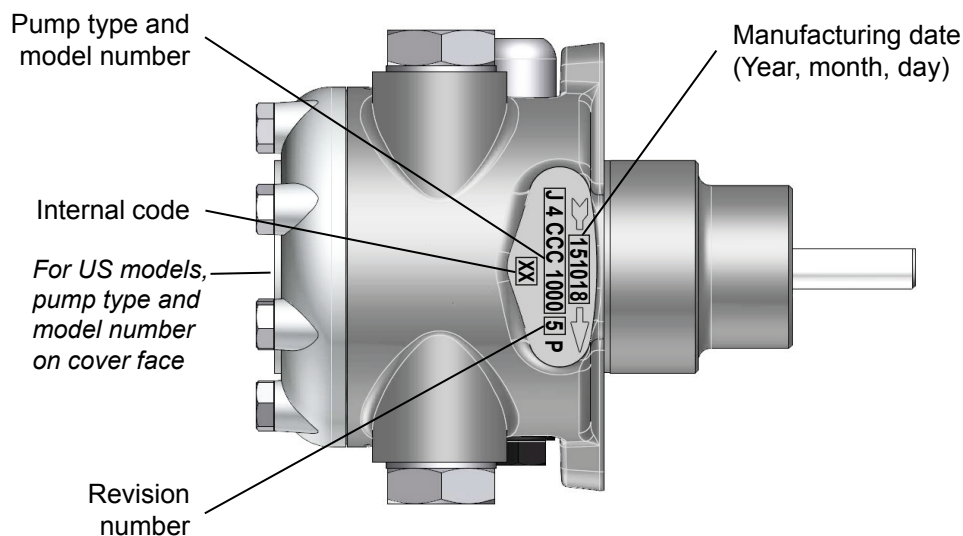
Identification marking on SUNTEC pumps

AJ pumps



Data corresponding to installation system (one or two-pipe) are not stamped on the pump because this parameter could be modified according to the installation.

J, E pumps



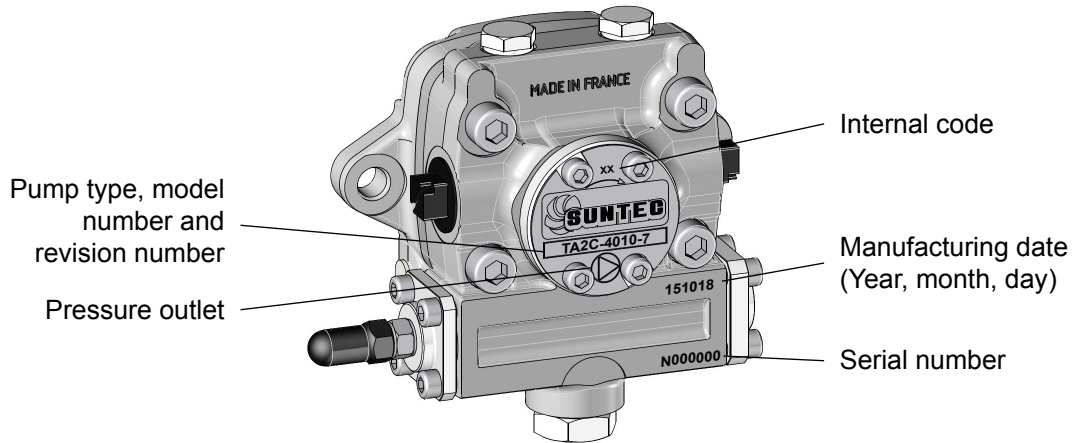
SB33-EN / Ed.6 - 12/12/2018

2/3

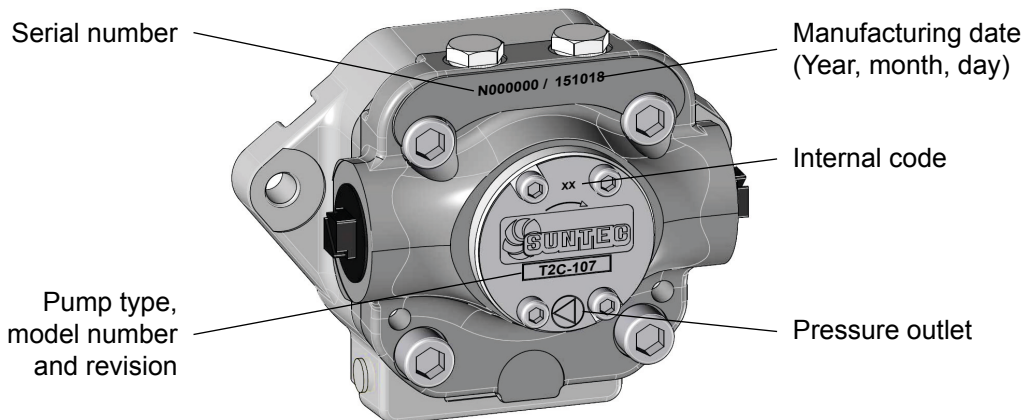


Identification marking on SUNTEC pumps

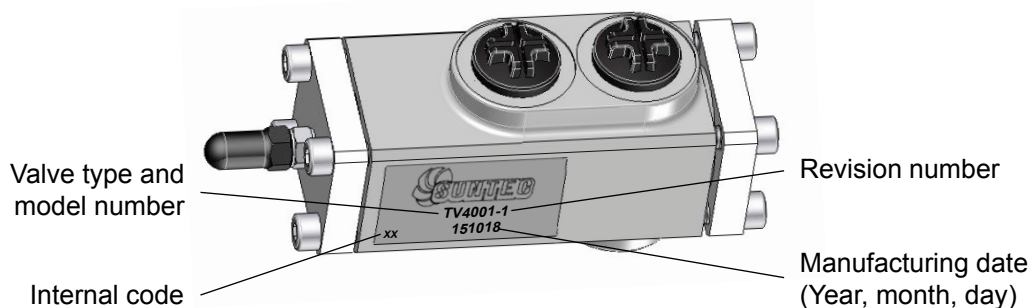
TA and TAR pumps



T pumps



TV valves



SB33-EN / Ed.6 - 12/12/2018

3/3

